

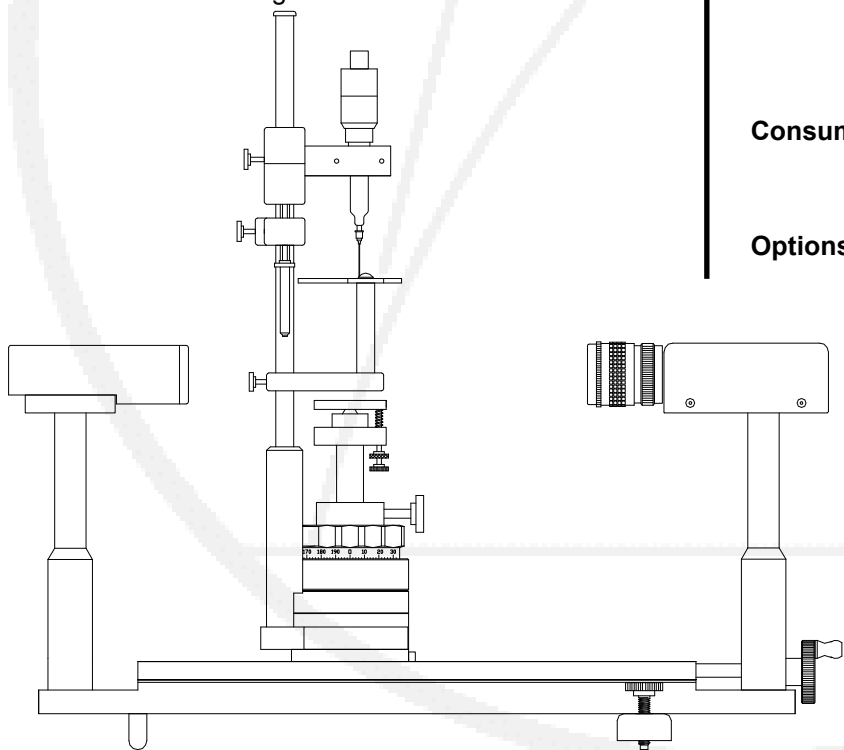
ramé-hart Model 500

**Advanced Contact Angle Goniometer / Tensiometer
with DROPimage Advanced Software**

ramé-hart Model 500 (p/n 500-F4)

This top-of-the-line modular tool is the starting point for many possible configurations. Model 500 accepts every available accessory and includes our award-winning DROPimage Advanced software for complete methods-based interfacial analysis with pendant, inverted pendant, sessile, and captive bubble drops. Additionally, contact angle, surface energy, and calibration tools are included. Add the optional Automated Dispensing System to increase the accuracy and speed of dispensing as well as for advancing and receding studies.

What's in the box: Goniometer with F4 Series Camera, Microsyringe Fixture and Shade, Illuminator and Fiber Optic Bundle, (1) Microsyringe Assembly, (1) 22g Straight Needle for manual dispensing, PC and LCD, DROPimage Advanced Software, User Manual, Calibration Tool, and Storage Cover — everything needed to start taking measurements.



Specifications

Stage Size	2 x 3 in (51 x 76mm)
Sample Size	up to 12 in (300mm) x unlimited*
Contact Angle Range	0 to 180°
Resolution	0.01°
Accuracy	+/- 0.10°
Camera	IEEE1394a FireWire, 1/3" CCD, 400Mbps, 70fps, Progressive Scan
Backlighting	Variable Fiber Optic Illuminator
Stage	Precision 3-Axis
Dimensions	19 x 20 x 10 in (480x500x250mm)
Weight	20 lbs / 9.1 kg (excluding power)
Power Supply	110 or 220 VAC
DROPimage Features	Contact Angle Measurement (7) Surface Energy Tools Methods-based Surface Tension Pendant, Sessile, Captive Bubble Calibration Tool
Consumables	Fiber Optic Bulb 100-00-FOB Microsyringe Assembly 100-10-20 Needles 100-10-12-22
Options	Automated Dispenser 100-22 Environmental Chamber 100-07 Humidity Chamber 100-07-H Elevated Temp. Syringe 100-11 Wafer Support 100-21-x Vacuum Chuck 100-21-VCx Tilting Base 100-06 Lead Frame Support 100-23 Environmental Fixture 100-07-60 Film Clamps 100-15

Contact us for a complete options list.

Custom options available.

* requires custom optics and substrate support options for larger samples.

ramé-hart instrument co • www.ramehart.com • carl@ramehart.com • 973-448-0305 • fax 0315

PO Box 400 • Netcong • New Jersey • 07857 • USA



$$\sigma = F(d_s/d_c) d_c^2 g |\rho_1 - \rho_2|$$

